

Clayton State University
One-time FY16 Over 25K Funding Request

Description: CEMATIX Chemical Inventory System

Amount Requested: \$11,400 for the CHEMATIX modules + \$1,000 Server + \$6,000 hardware for barcode labeling and scanning TOTAL = \$18,400

Justification: _____

The Department of Chemistry and Physics in conjunction with the Department of Biology is requesting a Chemical Inventory System that will be used to manage the chemical inventory stored across campus, specifically in the Chemistry and Biology laboratories. With the addition of Lakeview Discovery and Science Center, CSU now has three campus buildings with multiple science laboratories in them. CSU also has three chemical storage rooms, and approximately 10 chemical preparatory rooms in addition to 8 dedicated faculty research rooms. All of these spaces hold and often store chemicals and chemical waste. The ability of the Laboratory Managers to oversee all of the chemicals in all of these spaces, including the purchasing, storage, use of, disposal of and re-purchasing of each chemicals (our current inventory contains over 1000 compounds in various containers and multiple locations across campus) is greatly hindered by the lack of a chemical management system.

Chemical managements systems provide an easy to use tracking and management platform for laboratory supplies and equipment, both chemical and non-chemical items. The system chosen above allows for user-configured reports and views that allow the user to track specific location inventories, hazardous chemical counts, historical usage data (important for purchasing and cost management) and in general these systems are designed to increase efficiency in inventory management, provide real-time information about chemical quantities (reducing surpluses and saving costs) while also reducing waste disposal costs, enhancing regulatory compliance and providing auditing ability.

The CHEMATIX system requested above will work via a barcoding system, where each item receives a barcode upon point of entry and is then tracked via scanning until elimination as waste. This tracking also provides a database of critical safety information about the chemical inventory; including SDS information, hazard ratings, CAS numbers, chemical quantity and chemical location. This is extremely important and a current major safety issue; for example we would be able to tell the fire department exactly what chemicals are located in a particular lab

and how much of each chemical is present at any particular time, whereas right now all we can do is provide the fire department with a list of over 1000 compounds and their SDS sheets. The system will also help keep us in compliance with Cindy Knight and the Office of Risk Management, allowing for more accurate reporting and regulatory compliance requirements. We will also be better able to track and eliminate expired chemicals, specifically potentially explosive chemicals and hazardous chemicals, PECs, Flammables etc. on campus. The CHEMATIX system, included in this proposal was developed at UGA and is used at many of the BOR system schools. The system chosen here is a self-contained system where we purchase the licenses for both the CHEMATIX Inventory and Resource Management Module and the Waste Management Module. The proposal is to purchase resources for 20 laboratory spaces and an unlimited number of users. We will also need to purchase a server and the hardware for bar code labeling and scanning. CSU then owns the system and is able to use the system independently for many years. Upgrades, maintenance and support run at 10% of the license purchase agreement price and could be purchased as necessary after year 1 as a shared cost between the departments that use the system.

Clayton State University

One-time FY16 Over 25K Funding Request

Description: The Department of Dental Hygiene needs funding to purchase a replacement for our aging and obsolete panoramic X-ray machine.

Amount Requested: \$28,475.00

Justification: The panoramic x-ray machine is essential to the delivery of dental hygiene oral care and plays an integral part in the training of radiologic procedures for our dental hygiene students. The CSU Dental Hygiene clinic is equipped with a single panoramic unit, which serves the 56 students in the program and approximately 6,000 patients of record with no backup device. To adhere to the standards of dental care, provide an optimal learning experience to students and a safe environment to patients, all necessary dental equipment must be in working order.

Our existing machine was donated in used condition to the program over 13 years ago. It has not functioned optimally for the last year and has consistently yielded radiographs of poor diagnostic quality.

Because the machine was manufactured before the dental profession adopted digital sensors as standard, it had to be retrofitted to expose with the new technology. Numerous costly attempts at repairs, calibrations and servicing have failed to correct issues with poor exposures. The last service call technician observed that the machine was on its last legs.

More important than the diagnostic quality of radiographs being produced, the poor results of our current unit present a potential safety issue for our patients. When diagnostic radiographs are not achieved, a second attempt is often required. This results in patients receiving exposure to ionizing radiation in excess of that necessary to achieve the correct exposure with properly operating modern equipment in a single take.

It is crucial to our program to secure funding to purchase this equipment to enhance our students' learning experiences and provide a safe environment.

Clayton State University
One-time FY16 Over 25K Funding Request

Description: Electrocardiogram (ECG) Stress Module – Health & Fitness Management (HFMG) Program

Amount Requested: \$26,634

Justification: The addition of the ECG Stress Module to our current laboratory equipment is invaluable and required for student learning and success. Last year, the laboratory purchased a metabolic cart. This module is needed to function with the metabolic cart. It will provide students with exposure to the type of technology used at the clinical, higher education/graduate and field levels. This is particularly true in the competitive area of clinical exercise physiology, where a large number of HFMG majors have demonstrated an interest by completing 225 hours of internship during their senior year. Moreover, it will better prepare them for portions of the American College of Sports Medicine's (ACSM) Certified Exercise Physiologist examination that is used for accreditation purposed by COAES (Committee on accreditation for exercise science programs). The examination and Job task Analysis for accreditation include principles of electrocardiography. It is an area that students historically perform poorly because they are not exposed to such a content. Therefore, this equipment will improve student knowledge, abilities and skills, which will be beneficial for both certification, accreditation, internships in the clinical field, and future employment opportunities in sport performance, health and fitness.

The ECG module will teach students how to prepare subjects for ECG measurement in a variety of settings, including research, clinical, and sports performance. ECG is short for electrocardiogram. It is used to record the electrical activity of the heart from different angles to identify and locate pathology. Electrodes are placed on different parts of a patient's limbs & chest to record the signal. It is the best way to identify and diagnose abnormal rhythms of the heart.

Students will learn about the basics of reading an ECG and how to recognize normal and abnormal heart rhythms. This module will reinforce topics related to the function of the heart through hands-on practical experiences which are important in terms of career preparation especially in the clinical world. The ECG module records the electrical activity in the heart that flows in many directions at once. The activity is printed on paper. The flows are described by different aspects of waves on that ECG report. The wave seen represents the average direction. The height of the deflection also represents the amount of electricity flowing in that direction. The lead, which refers to an imaginary line between two ECG electrodes, with the most positive velocity deflection is closest to the direction the hearts electricity is flowing. Students will learn about these components which are being tested on the national certification taken during the capstone course HFMG 4999.

In order to create a stressful situation for the body, we use exercise. Exercise on a bike, exercise on a treadmill. Both are valuable pieces of equipment that are parts of the quote. The issue we are having right now is that our equipment does not directly connect with the metabolic cart.

Each exercise protocol is dictated by the module that will be run by the metabolic cart directly. T faculty choices a certain protocol among multiple ones present in the software system of the ECG module. With the addition of the connecting equipment pieces (bike, and Treadmill), the system will run the protocol automatically and will send a signal to the equipment to increase speed, grade etc in order to stress the heart and record the ECG on the screen available for e-download and/or printable for a direct analysis by students as part of the course.



COSMED USA Inc.
 1850 Bates Avenue
 Concord, CA 94520
 P: 1-800-426-3763
 Fax: 925-676-6005
 www.cosmed.com

Clayton State University
 Health and Fitness Management
 NBS 130 2000 Clayton State Blvd
 Morrow, GA 30260-0285
 Attn: Dr. Chris Pitsikoulis

QUOTATION

NUMBER: DS1117151

DATE: November 17, 2015

DELIVERY: Estimated 45 Days from P/O

WARRANTY: 1 Year Parts and Labor

QUOTE VALIDITY: 120 Days

PAYMENT: 30 days net from delivery

INSTALLATION: Included

SALES MANAGER: Dan Shelby 864 320 0200

Quark CPET COMPATIBLE ECG STRESS TEST MODULE PACKAGE - Human Performance Lab

ITEM #	DESCRIPTION	Q.TY	TOTAL
C09080-02-99	Quark C12x USA w/TTL (12-Lead ECG)	1	
A-661-200-058	Stress, Rest ECG with Interpretation & Patient Database	1	
A-661-902-021	Electrodes for ECG disposable (Adult 25 pcs/box)	8	
A-860-000-004	Gas, Cal mix CGA-973 (16%O2, 5%CO2, N2 bal)	2	
C03400-01-04	Turbine/Flowmeter VO2max ID28, with sampling line (Quark PFT/CPET)	1	
C03711-01-08	Mask, V2 w/Headgear & Turbine Adapter, VO2max Flowmeter, 28mm Turbine, Adult (Small)	1	
C03712-01-08	Mask, V2 w/Headgear & Turbine Adapter, VO2max Flowmeter, 28mm Turbine, Adult (Medium)	1	
C03713-01-08	Mask, V2 w/Headgear & Turbine Adapter, VO2max Flowmeter, 28mm Turbine, Adult (Large)	1	
C03716-01-08	Mask, V2 w/Headgear & Turbine Adapter, RMR Flowmeter, 18mm Turbine, Adult (Small)	1	
C03717-01-08	Mask, V2 w/Headgear & Turbine Adapter, RMR Flowmeter, 18mm Turbine, Adult (Medium)	1	
C03719-01-08	Mask, V2 w/Headgear & Turbine Adapter, RMR Flowmeter, 18mm Turbine, Adult (X-Small)	1	
A-666-550-050	Treadmill Trackmaster TMX428 CP -Programmable Controller (110V)	1	
C01936-01-12	Cable, RS232 Treadmill Trackmaster	1	
A-666-500-027	COSMED cycle ergometer 200 K with electronic on the fly seat height adjustment	1	
C01713-01-12	Cable, RS232 COSMED Ergo Bikes to be controlled by Met Cart	1	
A-661-501-008	Monitor LCD to be mounted on user supplied cart or stand.	1	
A-661-503-005	Printer Fast Laser Color ECG (Required for Quark ECG systems)	1	
Module Package Total			\$ 23,944.00
Shipping w/ delivery all items: inside treadmill delivery and uncrating.			\$ 2,690.00
TOTAL			\$ 26,634.00

Clayton State University
One-time FY16 Over 25K Funding Request

Description: BioPac MP45 Data Acquisition Units for Human Anatomy and Physiology lab classes

Amount Requested: \$34,210

Justification: The 1000 level Anatomy and Physiology courses are required by all health science programs. We currently use an online simulation program (PhysioEx) to teach physiological concepts that is disliked by faculty and students alike. In response to the question, “Which labs did you like the least?” 44% of A&P I students and 65% of A&P II students responded that the PhysioEx Labs were the least liked. The higher percentage of A&P II students disliking the program may be the result of more PhysioEx simulations used in this lab class. Students described the labs as boring, long, time-consuming, waste of time, confusing, ineffective, not “hands on”, and terrible. Students have a difficult time extracting the concepts from the program and the program locks faculty and students into a regimented demonstration of physiological concepts that are essential to understand. This lack of flexibility makes it difficult for students to ask questions about the concepts and alienates a number of students from the study of physiology. All A&P faculty would like to see this simulation program replaced by meaningful physiology activities in the class.

The MP45 data acquisition units that we are requesting are specifically designed for lower level health science classes. The MP45, which comes with free software for the students, will allow students to explore electromyography, electroencephalography, electrocardiography, pulmonary function, blood pressure, and heart sounds. The lessons that were developed using the data acquisition units and their accessories allow flexibility for the instructor and could lead to more meaningful investigations of muscle, brain and lung function. Students can design their own experiments, collect, and analyze data on their own computers. Much of the physiological measurements that students can take of these functions would be the same types of measurements they would be asked to interpret as a health science student and professional. Real time measurements in response to different conditions would be more engaging for students. This is a very challenging course for students with DFW rates ranging from 25 – 40 percent. We believe this software may contribute to student success.

BioPac data acquisition units are currently being used in the Health Fitness Management program and so use in the lower level A&P classes would prepare students for their use in that program.



BIOPAC Systems, Inc.
42 Aero Camino
Goleta, CA 93117
USA
805-685-0066

Fax: (805) 685-0067
 Fed. Tax ID: 77-0256290

QUOTE
 PRO-FORMA INVOICE
SALES ORDER #: 0069642
ORDER DATE: 12/11/2015
CUSTOMER NUMBER: CLTSUN3
SALESPERSON: Ken Graap

SOLD TO:

Clayton State University
 2000 Clayton State Blvd
 Attn: Barbara Musolf
 Balance from PO
 Morrow, GA 30260

SHIP TO:

Clayton State University
 2000 Clayton State Blvd
 Attn: Barbara Musolf
 Balance from PO
 Morrow, GA 30260

Customer P.O.	Ship VIA	Terms	Quote Expire Date
	UPS GROUND	Net 30	1/11/2016
Ordered	Item Number	Price	Amount
2.00	BSLHSCS5 BSL MP45 Health Scie Sys x5 http://www.biopac.com/life-science-data-acquisition-teaching-system	0.00	\$23,990.00
4.00	BSLHSCS BSL MP45 Health Science System http://www.biopac.com/data-acquisition-health-sciences-teaching-system ***** Additional Disposables *****	0.00	\$9,980.00
1.00	AFT1-250 Disp. Bact. Filter, 22mm 250pk http://www.biopac.com/disposable-bacteriological-filter-22mm-250	0.00	\$595.00
1.00	AFT2-250 Disp. Mouthpiece, 22mm 250pk http://www.biopac.com/disposable-mouthpiece-22mm-250	0.00	\$145.00
1.00	AFT3-250 Disp. Noseclip, 250 pk http://www.biopac.com/disposable-noseclip-250	0.00	\$195.00
1.00	EL503-10 Disp. vinyl electrode (1000) http://www.biopac.com/general-purpose-electrode-1000	0.00	\$275.00

Net Order: \$35,180.00

Freight: \$240.00

Order Total: \$35,420.00

BIOPAC Systems accepts open purchase orders from U.S. universities and corporations. All others must pay by direct transfer of funds to BIOPAC Systems, Inc.'s bank account, check (must clear prior to shipment), or by MasterCard/VISA/Discover/American Express. All funds in U.S. currency. Please note that custom items cannot be returned for exchange or refund.

Heritage Oaks Bank (Short: HER OAK BK PROBE)
 545 12th Street, Paso Robles, California 93446
 Account Name: BIOPAC Systems, Inc.

Bank routing number: 122239982
 Bank account number: 15026065
 DUNS #: 363079641
 SWIFT code: HEOA US 61

BIOPAC Systems charges tax to all customers in CA, CO, GA, IN, NJ, NY, PA and WA unless a tax exemption certificate is on file. Please fax tax

Authorized by: _____

Accepted by: _____

Date: _____

Clayton State University
One-time FY16 Over 25K Funding Request

Description: purchase of replacement iMac computers and required accessories for the Media Design Lab in the Music Education Building (room 144)_____

Amount Requested: _____ \$68,700 (estimated quote attached)_____

Justification:

The Media Design Lab is a heavily-used computer classroom and lab space in the Music Education Building. The room is used throughout the week as a classroom for many courses in the Film Production and CMS programs as well as for a design course in the Art minor program. The room is also used by the Film and Digital Media Center instructors and students two nights each week. Additionally, students use this room outside of class, throughout the week and during weekends, to complete video and audio projects for these classes.

Due to technical requirements and industry standards for these courses, this is (and must remain) a Mac lab. The MacPro computers that are currently in place are at least six years old; many of these machines are beginning to fail and will soon have to be replaced. Though replacing hard drives is possible, the fact that the computers simply cannot keep pace with contemporary video resolutions is a much larger issue. The current MacPros are unable to process the high-resolution video footage from 2K and 4K cameras which were recently purchased to support the new B.A. in Film Production. The aging Dell monitors currently in place do not provide a color-accurate representation of the work students are creating. The computers also do not display high resolution video properly as their top resolution is HD quality or below. In short, the current setup does not accurately mirror workflows in place in the industry.

A cost effective solution would be the purchase of seventeen 5k iMac desktop computers (16 student stations and one for the instructor station). These computers, when properly configured, are capable of displaying full-resolution 4k video, running the latest editing and image editing software compatible with 4k video, and offer a color-accurate display for color grading. This all-in-one solution is about half the price of refurbishing the lab with MacPros. The attached quote includes the cost of Apple Care, Apple's warranty plan that fully covers all repairs for three years. We have also added four "time capsules" to this estimate. These wireless backup drives ensure that all student work is backed up once each hour for every computer in the lab. We currently have two that are in use in the lab and with the addition of four more, we will have enough to backup all student work. We will be able to reinstall all currently installed software on the new computers without additional cost.

The lab will, undoubtedly, be an attraction for both current and prospective students and will ensure our students are on the leading edge of filmmaking workflows. Our new B.A. in Film Production includes a strong emphasis on post-production, which makes our Media Design Lab a vital component of the program's physical plant. Replacing this equipment is necessary for ensuring that this lab will continue to meet the needs of our students, particularly in our new Film Production degree programs.

Items in Your Bag



AirPort Time Capsule - 2TB \$299.00 4 **\$1,196.00**

Order today, delivers: Mon Dec 14 - Fastest | Tue Dec 15 - Free

[Remove](#)

Part number: ME177LL/A



27-inch iMac with Retina 5K display \$3,499.00 1 **\$3,499.00**

Order today, delivers: Dec 15 - Dec 17 - Fastest | Dec 18 - Dec 22 - Free

[Remove](#)

Part number: ZOSC

Hardware

- 4.0GHz quad-core Intel Core i7, Turbo Boost up to 4.2GHz
- 32GB 1867MHz DDR3 SDRAM - four 8GB
- 3TB Fusion Drive
- AMD Radeon R9 M395X with 4GB video memory
- Wired Apple Mouse
- Apple Keyboard with Numeric Keypad (English) & User's Guide
- Accessory Kit

[Show Gift Options](#)

Software

- Pages, Numbers, Keynote
- Photos, iMovie, GarageBand
- OS X

Services and Support



AppleCare Protection Plan for iMac - Auto-enroll

\$169.00

[Remove](#)

Automatically registered with your Apple Hardware.



27-inch iMac with Retina 5K display \$3,499.00 1 **\$3,499.00**

Order today, delivers: Dec 15 - Dec 17 - Fastest | Dec 18 - Dec 22 - Free

[Remove](#)

Part number: ZOSC

Hardware

- 4.0GHz quad-core Intel Core i7, Turbo Boost up to 4.2GHz
- 32GB 1867MHz DDR3 SDRAM – four 8GB
- 3TB Fusion Drive
- AMD Radeon R9 M395X with 4GB video memory
- Wired Apple Mouse
- Apple Keyboard with Numeric Keypad (English) & User's Guide
- Accessory Kit

Show Gift Options

Software

- Pages, Numbers, Keynote
- Photos, iMovie, GarageBand
- OS X

Services and Support



AppleCare Protection Plan for iMac – Auto-enroll

\$169.00

Remove

Automatically registered with your Apple Hardware.



27-inch iMac with Retina 5K display

\$3,499.00



\$3,499.00

Order today, delivers: Dec 15 – Dec 17 – Fastest | Dec 18 – Dec 22 – Free

Remove

Part number: Z0SC

Hardware

- 4.0GHz quad-core Intel Core i7, Turbo Boost up to 4.2GHz
- 32GB 1867MHz DDR3 SDRAM – four 8GB
- 3TB Fusion Drive
- AMD Radeon R9 M395X with 4GB video memory
- Wired Apple Mouse
- Apple Keyboard with Numeric Keypad (English) & User's Guide
- Accessory Kit

Show Gift Options

Software

- Pages, Numbers, Keynote
- Photos, iMovie, GarageBand
- OS X

Services and Support



AppleCare Protection Plan for iMac – Auto-enroll

\$169.00

Remove

Automatically registered with your Apple Hardware.



27-inch iMac with Retina 5K display

\$3,499.00

1

\$3,499.00

Order today, delivers: Dec 15 - Dec 17 - Fastest | Dec 18 - Dec 22 - Free

Remove

Part number: ZOSC

Hardware

- 4.0GHz quad-core Intel Core i7, Turbo Boost up to 4.2GHz
- 32GB 1867MHz DDR3 SDRAM - four 8GB
- 3TB Fusion Drive
- AMD Radeon R9 M395X with 4GB video memory
- Wired Apple Mouse
- Apple Keyboard with Numeric Keypad (English) & User's Guide
- Accessory Kit

Show Gift Options

Software

- Pages, Numbers, Keynote
- Photos, iMovie, GarageBand
- OS X

Services and Support



AppleCare Protection Plan for iMac - Auto-enroll
Automatically registered with your Apple Hardware.

\$169.00

Remove



27-inch iMac with Retina 5K display

\$3,499.00

1

\$3,499.00

Order today, delivers: Dec 15 - Dec 17 - Fastest | Dec 18 - Dec 22 - Free

Remove

Part number: ZOSC

Hardware

- 4.0GHz quad-core Intel Core i7, Turbo Boost up to 4.2GHz
- 32GB 1867MHz DDR3 SDRAM - four 8GB
- 3TB Fusion Drive
- AMD Radeon R9 M395X with 4GB video memory
- Wired Apple Mouse
- Apple Keyboard with Numeric Keypad (English) & User's Guide
- Accessory Kit

Show Gift Options

Software

- Pages, Numbers, Keynote
- Photos, iMovie, GarageBand
- OS X

Services and Support



AppleCare Protection Plan for iMac - Auto-enroll
Automatically registered with your

\$169.00

Remove



27-inch iMac with Retina 5K display \$3,499.00 1 \$3,499.00

Order today, delivers: Dec 15 – Dec 17 – Fastest | Dec 18 – Dec 22 – Free Remove
Part number: Z0SC

Hardware

- 4.0GHz quad-core Intel Core i7, Turbo Boost up to 4.2GHz
- 32GB 1867MHz DDR3 SDRAM – four 8GB
- 3TB Fusion Drive
- AMD Radeon R9 M395X with 4GB video memory
- Wired Apple Mouse
- Apple Keyboard with Numeric Keypad (English) & User's Guide
- Accessory Kit

Show Gift Options

Software

- Pages, Numbers, Keynote
- Photos, iMovie, GarageBand
- OS X

Services and Support

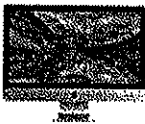


AppleCare Protection Plan for iMac – Auto-enroll

\$169.00

Remove

Automatically registered with your Apple Hardware.



27-inch iMac with Retina 5K display \$3,499.00 1 \$3,499.00

Order today, delivers: Dec 15 – Dec 17 – Fastest | Dec 18 – Dec 22 – Free Remove
Part number: Z0SC

Hardware

- 4.0GHz quad-core Intel Core i7, Turbo Boost up to 4.2GHz
- 32GB 1867MHz DDR3 SDRAM – four 8GB
- 3TB Fusion Drive
- AMD Radeon R9 M395X with 4GB video memory
- Wired Apple Mouse
- Apple Keyboard with Numeric Keypad (English) & User's Guide
- Accessory Kit

Show Gift Options

Software

- Pages, Numbers, Keynote
- Photos, iMovie, GarageBand
- OS X

Services and Support



AppleCare Protection Plan for iMac - Auto-enroll

\$169.00

Remove

Automatically registered with your Apple Hardware.



27-inch iMac with Retina 5K display

\$3,499.00



\$3,499.00

Order today, delivers: Dec 15 - Dec 17 - Fastest | Dec 18 - Dec 22 - Free

Remove

Part number: ZOSC

Hardware

- 4.0GHz quad-core Intel Core i7, Turbo Boost up to 4.2GHz
- 32GB 1867MHz DDR3 SDRAM - four 8GB
- 3TB Fusion Drive
- AMD Radeon R9 M395X with 4GB video memory
- Wired Apple Mouse
- Apple Keyboard with Numeric Keypad (English) & User's Guide
- Accessory Kit

Show Gift Options

Software

- Pages, Numbers, Keynote
- Photos, iMovie, GarageBand
- OS X

Services and Support



AppleCare Protection Plan for iMac - Auto-enroll

\$169.00

Remove

Automatically registered with your Apple Hardware.



27-inch iMac with Retina 5K display

\$3,499.00



\$3,499.00

Order today, delivers: Dec 15 - Dec 17 - Fastest | Dec 18 - Dec 22 - Free

Remove

Part number: ZOSC

Hardware

- 4.0GHz quad-core Intel Core i7, Turbo Boost up to 4.2GHz
- 32GB 1867MHz DDR3 SDRAM - four 8GB
- 3TB Fusion Drive
- AMD Radeon R9 M395X with 4GB video memory
- Wired Apple Mouse
- Apple Keyboard with Numeric Keypad (English) & User's Guide
- Accessory Kit

Software

- Pages, Numbers, Keynote
- Photos, iMovie, GarageBand
- OS X

Show Gift Options

Services and Support



AppleCare Protection Plan for iMac –
Auto-enroll
Automatically registered with your
Apple Hardware.

\$169.00
Remove



27-inch iMac with Retina 5K
display

\$3,499.00

1

\$3,499.00

Order today, delivers: Dec 15 – Dec 17 – Fastest | Dec 18 – Dec 22 – Free

Remove

Part number: ZOSC

Hardware

- 4.0GHz quad-core Intel Core i7,
Turbo Boost up to 4.2GHz
- 32GB 1867MHz DDR3 SDRAM – four
8GB
- 3TB Fusion Drive
- AMD Radeon R9 M395X with 4GB
video memory
- Wired Apple Mouse
- Apple Keyboard with Numeric
Keypad (English) & User's Guide
- Accessory Kit

Software

- Pages, Numbers, Keynote
- Photos, iMovie, GarageBand
- OS X

Show Gift Options

Services and Support



AppleCare Protection Plan for iMac –
Auto-enroll
Automatically registered with your
Apple Hardware.

\$169.00
Remove



27-inch iMac with Retina 5K
display

\$3,499.00

1

\$3,499.00

Order today, delivers: Dec 15 – Dec 17 – Fastest | Dec 18 – Dec 22 – Free

Remove

Part number: ZOSC

Hardware

- 4.0GHz quad-core Intel Core i7, Turbo Boost up to 4.2GHz
- 32GB 1867MHz DDR3 SDRAM - four 8GB
- 3TB Fusion Drive
- AMD Radeon R9 M395X with 4GB video memory
- Wired Apple Mouse
- Apple Keyboard with Numeric Keypad (English) & User's Guide
- Accessory Kit

Show Gift Options

Software

- Pages, Numbers, Keynote
- Photos, iMovie, GarageBand
- OS X

Services and Support



AppleCare Protection Plan for iMac - Auto-enroll
Automatically registered with your Apple Hardware.

\$169.00
Remove



27-inch iMac with Retina 5K display

\$3,499.00



\$3,499.00

Order today, delivers: Dec 15 - Dec 17 - Fastest | Dec 18 - Dec 22 - Free

Remove

Part number: Z0SC

Hardware

- 4.0GHz quad-core Intel Core i7, Turbo Boost up to 4.2GHz
- 32GB 1867MHz DDR3 SDRAM - four 8GB
- 3TB Fusion Drive
- AMD Radeon R9 M395X with 4GB video memory
- Wired Apple Mouse
- Apple Keyboard with Numeric Keypad (English) & User's Guide
- Accessory Kit

Show Gift Options

Software

- Pages, Numbers, Keynote
- Photos, iMovie, GarageBand
- OS X

Services and Support



AppleCare Protection Plan for iMac - Auto-enroll
Automatically registered with your Apple Hardware.

\$169.00
Remove



27-Inch iMac with Retina 5K display

\$3,499.00

1

\$3,499.00

Order today, delivers: Dec 15 - Dec 17 - Fastest | Dec 18 - Dec 22 - Free

Remove

Part number: ZOSC

Hardware

- 4.0GHz quad-core Intel Core i7, Turbo Boost up to 4.2GHz
- 32GB 1867MHz DDR3 SDRAM - four 8GB
- 3TB Fusion Drive
- AMD Radeon R9 M395X with 4GB video memory
- Wired Apple Mouse
- Apple Keyboard with Numeric Keypad (English) & User's Guide
- Accessory Kit

Show Gift Options

Software

- Pages, Numbers, Keynote
- Photos, iMovie, GarageBand
- OS X

Services and Support



AppleCare Protection Plan for iMac - Auto-enroll
Automatically registered with your Apple Hardware.

\$169.00

Remove



27-inch iMac with Retina 5K display

\$3,499.00

1

\$3,499.00

Order today, delivers: Dec 15 - Dec 17 - Fastest | Dec 18 - Dec 22 - Free

Remove

Part number: ZOSC

Hardware

- 4.0GHz quad-core Intel Core i7, Turbo Boost up to 4.2GHz
- 32GB 1867MHz DDR3 SDRAM - four 8GB
- 3TB Fusion Drive
- AMD Radeon R9 M395X with 4GB video memory
- Wired Apple Mouse
- Apple Keyboard with Numeric Keypad (English) & User's Guide
- Accessory Kit

Show Gift Options

Software

- Pages, Numbers, Keynote
- Photos, iMovie, GarageBand
- OS X

Services and Support



AppleCare Protection Plan for iMac - Auto-enroll
Automatically registered with your

\$169.00

Remove



27-inch iMac with Retina 5K display \$3,499.00 1 \$3,499.00

Order today, delivers: Dec 15 - Dec 17 - Fastest | Dec 18 - Dec 22 - Free Remove
Part number: ZOSC

Hardware

- 4.0GHz quad-core Intel Core i7, Turbo Boost up to 4.2GHz
- 32GB 1867MHz DDR3 SDRAM - four 8GB
- 3TB Fusion Drive
- AMD Radeon R9 M395X with 4GB video memory
- Wired Apple Mouse
- Apple Keyboard with Numeric Keypad (English) & User's Guide
- Accessory Kit

Show Gift Options

Software

- Pages, Numbers, Keynote
- Photos, iMovie, GarageBand
- OS X

Services and Support



AppleCare Protection Plan for iMac - Auto-enroll

\$169.00

Remove

Automatically registered with your Apple Hardware.



27-inch iMac with Retina 5K display \$3,499.00 1 \$3,499.00

Order today, delivers: Dec 15 - Dec 17 - Fastest | Dec 18 - Dec 22 - Free Remove
Part number: ZOSC

Hardware

- 4.0GHz quad-core Intel Core i7, Turbo Boost up to 4.2GHz
- 32GB 1867MHz DDR3 SDRAM - four 8GB
- 3TB Fusion Drive
- AMD Radeon R9 M395X with 4GB video memory
- Wired Apple Mouse
- Apple Keyboard with Numeric Keypad (English) & User's Guide
- Accessory Kit

Show Gift Options

Software

- Pages, Numbers, Keynote
- Photos, iMovie, GarageBand
- OS X

Services and Support



AppleCare Protection Plan for iMac – Auto-enroll

\$169.00

Remove

Automatically registered with your Apple Hardware.



27-inch iMac with Retina 5K display

\$3,499.00

1

\$3,499.00

Order today, delivers: Dec 15 – Dec 17 – Fastest | Dec 18 – Dec 22 – Free

Remove

Part number: Z0SC

Hardware

- 4.0GHz quad-core Intel Core i7, Turbo Boost up to 4.2GHz
- 32GB 1867MHz DDR3 SDRAM – four 8GB
- 3TB Fusion Drive
- AMD Radeon R9 M395X with 4GB video memory
- Wired Apple Mouse
- Apple Keyboard with Numeric Keypad (English) & User's Guide
- Accessory Kit

Show Gift Options

Software

- Pages, Numbers, Keynote
- Photos, iMovie, GarageBand
- OS X

Services and Support



AppleCare Protection Plan for iMac – Auto-enroll

\$169.00

Remove

Automatically registered with your Apple Hardware.

Up to 18 months of special financing

Bag Subtotal	\$63,552.00
Free Shipping	\$0.00
? Estimated Tax Edit	\$5,084.16
Total	\$68,636.16

Save Bag | View Saved Bags | Chat Now

Continue Shopping

Check Out

Recommended for You

Clayton State University
One-time FY16 Over 25K Funding Request

Description: Premium Pyxis Medstation

Amount Requested: \$99,998.00 (\$49,999.00 each)

Justification: Two systems to replace the two current medication administration cart systems which are outdated models from 2008 with Windows XP operating systems. The current models are at the end of their useful life expectancies according to a three year depreciation for the computer portion of the system per GSA depreciation schedule. The manufacturer of the systems currently in use, Emerson, does not provide software or hardware upgrades for this unit. These systems are required for the School of Nursing Simulation Lab in order for students to receive the adequate and required training for students to graduate from the nursing program and succeed in their careers. The new systems utilize current technologies which include integrated bar code scanners and a more robust, user friendly interface. These systems are the same systems utilized in primary health care settings and are integral to the process of learning proper medication administration techniques and protocols. Through use of the systems in the laboratories, students will become more proficient in medication administration regimens which will, in turn, prepare them for their clinical experiences in the hospital, provide them with the job skills that employers expect and ultimately assist in the reduction of medication administration errors committed by the students in their careers as nursing and healthcare professionals.

Clayton State University
One-time FY16 Over 25K Funding Request

Description: Center for Advising & Retention Phase II Construction

Amount Requested: \$25,156.74

Justification: Please note that this request was part of the original project scope that was approved but excluded from 2014-2015 year-end funding requests due to limited construction resources. An associated request has been submitted and approved related to the construction costs by facilities. This request represents the non-construction costs associated with the completion of Phase II construction of the Center for Advising & Retention (CAR). Phase II of construction will increase the student reception space as well as the student self-service space. Since the CAR opened on September 1, 2015 we had served in our offices more than 4,500 students with a peak of more than 1,700 students in the month of October. During these peak times it is not uncommon to have more than 20 students waiting in the CAR for their advising appointments. The additional technology and furniture will allow us to decrease wait times for self-service registration kiosks and appointment scheduling. Eliminating this barrier increases efficiency and allows the CAR advisors to have students register for future terms before leaving the center and decreases the needs for follow up calls and emails. The additional furniture is also needed for Amy Albrecht's office, which was excluded from Phase I construction and was not included in the original CAR furniture allocation. Amy's desk also includes ADA functionality to keep us in compliance with her approved workplace accommodations. This request represents the remaining items needed to finish the CAR construction project.

CAR Phase II Construction Request		
<i>Item</i>	<i>Cost</i>	<i>Business Purpose</i>
Monitor Support System	\$1,341	Monitor display for self-service kiosks that allows us to create two workstations on one computer station
Computer Stations	\$1,566.72	Self-service kiosk furniture
Storage Hutches	\$2,235.84	Expanded storage capabilities to allow for storage and organization of advising materials and CAR supplies in newly created storage room.
Office Furniture for 143A	\$5,882.34	Office setup to match existing furniture in room 143 and allows us to continue to comply with employee's ADA needs.
ADA Furniture for 143A	\$1,280.76	Office setup to match existing furniture in room 143 and allows us to continue to comply with employee's ADA needs.
Doorway Signage	\$267.50	Office identification on new double doors
Dell Computers	\$10,208.32	Additional self-service computers for students in reception area that allows students to register for courses before leaving the CAR. Currently wait times make this prohibitive to students.
Lounge Chair	\$1,322.50	Additional seating for CAR reception
Lounge Chair Fabric	\$126	Fabric matches existing lounge chairs
Stack Chair	\$925.76	Additional seating for CAR reception

QUOTATION

Quotation : Advising Center

ICS
 4690 Derby Lane
 Smyrna GA 30082
 404-406-6894
IntechSolutions4@gmail.com

PROPOSAL NO. ICS 306
 DATE December 9, 2015
 CUSTOMER ID Clayton State University
 EXPIRATION DATE 30 days

To Priti Bhattia
 Clayton State University
 2000 Clayton State Blvd
 Morrow GA
 678-466-4203

Install At: Clayton State University
 2000 Clayton State Blvd
 Morrow GA

Project Name Advising Center

Location NBS, Advising Center, #143

SALESPERSON	JOB	SHIPPING METHOD	SHIPPING TERMS	DELIVERY DATE	PAYMENT TERMS	DUE DATE
Amber Stephan	Advising Center	Dock Delivery				

Line Item	QTY	ITEM #	DESCRIPTION	UNIT PRICE	LINE TOTAL
1	4	79454-NA-SIL	Model code: 79454-NA-SIL Back: Solace, Color: Blaze SBLAZ Seat: Momentum, Silica Etch, Color: Derby. Allseating Inertia Upholstered Plus Side, No Arms, Silver Frame, Non Marking Glides, Seat: Momentum, Silica Etch, Color: Derby, Back: Solace, Color: Blaze Project Tag: Advising Center	\$231.44	\$ 925.76

Note: All items to be installed at Clayton State University
 Shipping Address: 2000 Clayton State Boulevard, Morrow, GA 30260

SUBTOTAL	\$	925.76
SALES TAX		
TOTAL	\$	925.76

How to Order

Issue Purchase Order to:
 Allseating Corporation

5800 Avebury Road, Unit 3 Mississauga, Ontario, Canada L5R 3M3

Phone : 905.502.7200

Installing Dealer: ICS

Proposal accepted by:

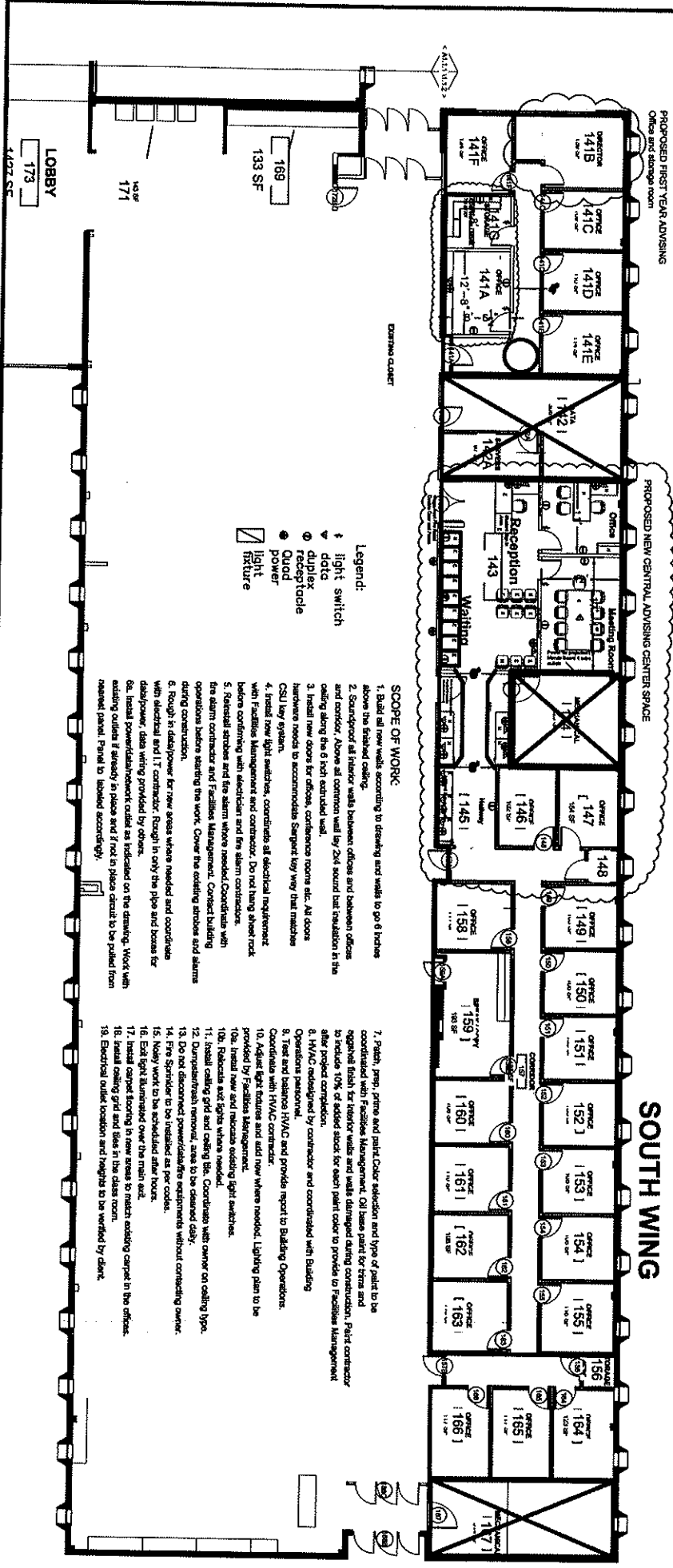
Date accepted:

Product Line: Allseating
 Contractor: Allseating

GA Statewide Contract: SWC60748

NATURAL AND BEHAVIORAL SCIENCES

SOUTH WING



PROPOSED FIRST YEAR ADVISING
Office and storage room

PROPOSED NEW CENTRAL ADVISING CENTER SPACE

DORMER CLOSET

Legend:
 ▲ light switch
 ▼ data
 ○ duplex
 ◆ receptacle
 ● power
 □ light fixture

SCOPE OF WORK:

1. Build all new walls according to drawing and walls to go 6 inches above the finished ceiling.
2. Soundproof all interior walls between offices and between offices and corridor. Above at common wall by 2x4 sound bar installation in the ceiling along the 6 inch extruded wall.
3. Install new doors for offices, conference rooms etc. All doors hardware needs to accommodate Sargent key way that matches CSI key system.
4. Install new light switches, coordinate all electrical roughwork with Facilities Management and contractor. Do not hang sheet rock before conferring with electrician and fire alarm contractor.
5. Reinstall switches and fire alarm contractor.
6. Rough in drop/power for new areas where needed and coordinate with electrical and IT contractor. Rough in only the pipe and boxes for drop/power, area wiring provided by others.
- 6a. Install power/data/network outlets as indicated on the drawing. Work with existing outlets if already in place and if not to place circuit to be pulled from nearest panel. Panel to be located accordingly.
7. Patch, prep, prime and paint. Color selection and type of paint to be coordinated with Facilities Management. Oil base paint for trim and eggshell finish for interior walls and walls damaged during construction. Paint contractor to include 10% of added stock for each paint color to provide to Facilities Management after project completion.
8. HVAC redesigned by contractor and coordinated with Building Operations personnel.
9. Test and balance HVAC and provide report to Building Operations. Coordinate with HVAC contractor.
10. Adjust light fixtures and add new where needed. Lighting plan to be provided by Facilities Management.
- 10a. Install new and relocate existing light switches.
- 10b. Relocate and lights where needed.
11. Install ceiling grid and ceiling tile. Coordinate with owner on ceiling type.
12. Ductwork/trim removal, area to be cleaned daily.
13. Do not disconnect power/data/wire equipments without consulting owner.
14. Fire Sprinkler to be installed as per codes.
15. Heavy work to be scheduled after hours.
16. Exit light illuminated over the main exit.
17. Install carpet flooring in new areas to match existing carpet in the offices.
18. Install ceiling grid and tiles in the class room.
19. Electrical outlet location and heights to be worked by client.

Proposal

Clayton State University

Advising Office

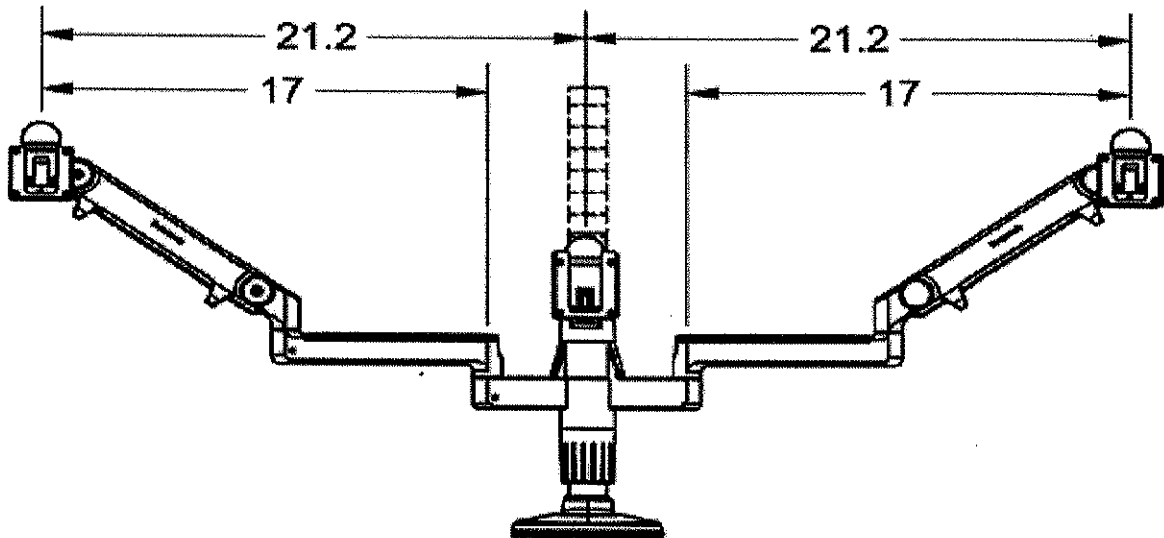
Project: Hallway Computer Stations - Monitor Supports

December 7, 2015



Quotation: CSU-ADV-HUM20151207

Qty	Product Number	Description	List Price	Statewide Contract Price	Extension
4	MF2 2 B 8 8 D 12 0 0	M/Flex Dual Monitor Support System. Black Finish. Dual Mount. 12" Post.	\$745.00	\$335.25	\$1,341.00
Total Project					\$1,341.00



Pricing includes all charges for shipping delivery and installation

HOW TO ORDER

Georgia Statewide Contract Information

Issue Purchase Orders to:

Humanscale Corporation
220 Circle Drive North
Piscataway, New Jersey 08854
(732) 537-2944 Voice
(732) 356-4146 Fax

Installing Dealer:

Franklin McNeal, Ltd
(770) 781-9572 Voice
(770) 781-9593 Fax
franklin-mcnealofg@comcast.net

Product Line: Humanscale

Contractor: Humanscale
GA Statewide Contract: 99999-SPD0000100-0040
PeopleSoft Vendor Number: 0000139844
TIN: 11-2793424

For installation, Ship to:

Franklin McNeal, Ltd.
c/o Advance Office Furniture Installations
3073 McCall Drive, Suite 16
Atlanta, GA 30340

Proposal

Clayton State University

Advising Office

Project: Hallway Computer Stations - Case Goods

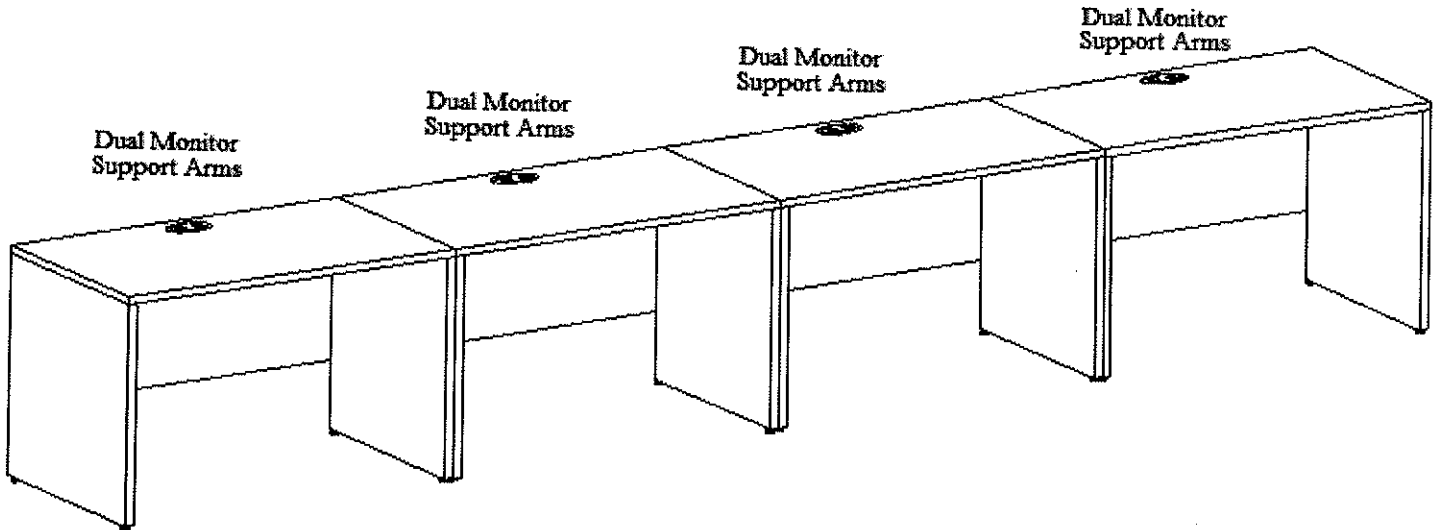
December 7, 2015



Quotation: CSU-ADV-LOG20151207

Qty	Product Number	Description	List Price	SWC PRICE	Extension
4	2442-36TLLR	Lateral Tables With Full Leg, 24x42x36H NOTE: Non-Standard Dimensions (Height)	\$768.00	\$391.68	\$1,566.72
	MAL	1-9/16" HPL with 2.5mm PVC Edge			
	TO	Finish: All Surfaces - Tobacco			
	SM	18" Modesty Panel			
	GRC	Centered Grommet (Default)			
	ELPF	Black Grommet Cover			
Total					\$1,566.72

Pricing includes all charges for shipping, delivery, and installation



NOTE: Monitor Support Arms to be purchased separately

HOW TO ORDER

Georgia Statewide Furniture Contract

Issue Purchase Orders to:

MOBILIER DE BUREAU LOGIFLEX, INC.
 1235 Saint-Roch Nord
 Sherbrooke, QC, CA J1N0H2
 770-361-5934 Voice
 770-475-5463 Fax

Product Line: Logiflex

Contractor: MOBILIER DE BUREAU LOGIFLEX, INC.
 GA Statewide Contract: 99999-SPD0000100-0067
 PeopleSoft Vendor Number: 0000152521
 TIN: 98-0196946

Installing Dealer:

Franklin McNeal, Ltd
 (770) 781-9572 Voice
 (770) 781-9593 Fax
 franklin-mcnealofg@comcast.net

For Installation, Ship to:

Franklin McNeal, Ltd.
 c/o Advance Office Furniture Installations
 3073 McCall Drive, Suite 16
 Atlanta, GA 30340

Proposal

Clayton State University

Advising Office

Project: Storage Hutches

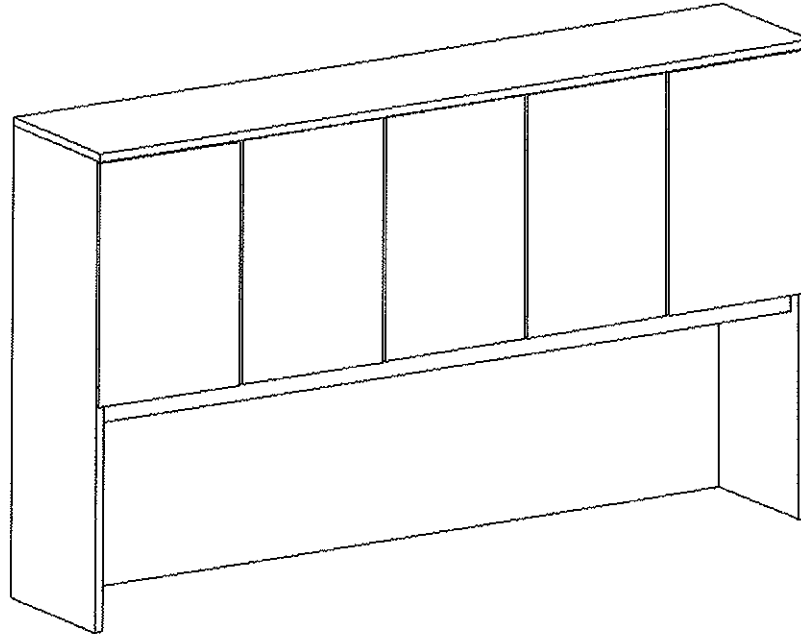
December 8, 2015



Quotation: CSU-ADV-LOG20151208

Qty	Product Number	Description	List Price	SWC PRICE	Extension
2	1684HPA55LR	55" High hutch with hinged doors with 2 Full Legs 16x84	\$2,192.00	\$1,117.92	\$2,235.84
	MA	1-5/8" TFL with 2.5mm PVC Edge			
	NM	Finish: All Surfaces - Natural Maple (MUST CONFIRM)			
	HJA	Door Pulls: Satin Nickel 6"			
	LKSN	Satin Nickel Locks			
Total					\$2,235.84

Pricing includes all charges for shipping, delivery, and installation



NOTES:
 No Tack Board
 No Task Light

HOW TO ORDER

Georgia Statewide Furniture Contract

Issue Purchase Orders to:

MOBILIER DE BUREAU LOGIFLEX, INC.
 1235 Saint-Roch Nord
 Sherbrooke, QC, CA J1N0H2
 770-361-5934 Voice
 770-475-5463 Fax

Product Line: Logiflex

Contractor: MOBILIER DE BUREAU LOGIFLEX, INC.
 GA Statewide Contract: 99999-SPD0000100-0067
 PeopleSoft Vendor Number: 0000152521
 TIN: 98-0196946

Installing Dealer:

Franklin McNeal, Ltd
 (770) 781-9572 Voice
 (770) 781-9593 Fax
 franklin-mcnealofg@comcast.net

For Installation, Ship to:

Franklin McNeal, Ltd.
 c/o Advance Office Furniture Installations
 3073 McCall Drive, Suite 16
 Atlanta, GA 30340

Proposal

Clayton State University
 Advising Office

Project: Amy's Office - Case Goods

December 11, 2015



Quotation: CSU-ADV-LOG20151211

Qty	Product Number	Description	List Price	SWC PRICE	Extension
1	24723624RLH	Corner Table extended to the left - curved cut with 1/2 Leg On Right 24x72x36x24 MODIFIED TO ACCEPT 3-POINT HEIGHT ADJ BASE 1-9/16" HPL with 2.5mm PVC Edge Finish - All Surfaces: Tobacco Full Modesty (Default) Centered Grommet (Default) Black Grommet Cover	\$1,770.00	\$902.70	\$902.70
	MAL TO FM GRC ELPF				
1	2436TLHH	Lateral Tables 1/2 Leg On Left and Right, 24x36 MODIFIED TO ACCEPT 3-POINT HEIGHT ADJ BASE 1-9/16" HPL with 2.5mm PVC Edge Finish - All Surfaces: Tobacco Full Modesty (Default) Centered Grommet (Default) Black Grommet Cover	\$925.00	\$471.75	\$471.75
	MAL TO FM GRC ELPF				
1	2072BCCL30	Credenza with 30" BCCL Pedestal on Right 20x72 1-9/16" HPL with 2.5mm PVC Edge Finish - All Surfaces: Tobacco Drawer Pulls: Satin Nickel 6" 10" Modesty Panel Left Grommet Black Grommet Cover	\$1,659.00	\$846.09	\$846.09
	MAL TO HJA PM GRL ELPF				
1	1672HZPG43LR	43" High hutch with Retractable door(s) and pigeon hole unit with 2 Full Legs 16x72 1-5/8" TFL with 2.5mm PVC Edge Finish - All Surfaces: Tobacco Door Pull -- NONE (Finger Pull) Satin Nickel Lock Fabric Covered Tack Board - Logiflex Colors Fabric: Cameo Coffee 3 Wire Divider	\$2,167.00	\$1,105.17	\$1,105.17
	MA TO ~ LKSN 72TB TBCAC DVD				
1	2072CLCL	Credenza with 2 Sets of Lateral File Drawers 20x72 1-9/16" HPL with 2.5mm PVC Edge Finish - All Surfaces: Tobacco Drawer Pulls: Satin Nickel 6"	\$1,852.00	\$944.52	\$944.52
	MAL TO HJA				
1	1672HAS43LR	43" High hutch with adjustable shelf and 2 Full Legs 16x72 1-5/8" TFL with 2.5mm PVC Edge Finish - All Surfaces: Tobacco	\$1,107.00	\$564.57	\$564.57
	MA TO				
1	BRSQ2M4	Double computer monitor bracket, Adjustable height, Grommet- mounted Satin Nickel.	\$907.00	\$462.57	\$462.57
1	MCPU93	Retractable CPU Holder with 360-degree rotation	\$295.00	\$150.45	\$150.45
1	KB360M	Articulating Retractable Keyboard Platform with Reversible Mouse Tray	\$467.00	\$238.17	\$238.17
1	T548	Task Light, 48"	\$238.00	\$121.38	\$121.38
1	TCPM	Center Drawer with Divided Compartments	\$147.00	\$74.97	\$74.97
				Total	\$5,882.34

Pricing includes all charges for shipping, delivery, and installation

Proposal

Clayton State University
Advising Office

Project: Amy's Office - Case Goods

December 11, 2015



Quotation: CSU-ADV-LOG20151211

HOW TO ORDER

Georgia Statewide Furniture Contract

Issue Purchase Orders to:

MOBILIER DE BUREAU LOGIFLEX, INC.
1235 Saint-Roch Nord
Sherbrooke, QC, CA J1N0H2
770-361-5934 Voice
770-475-5463 Fax

Installing Dealer:

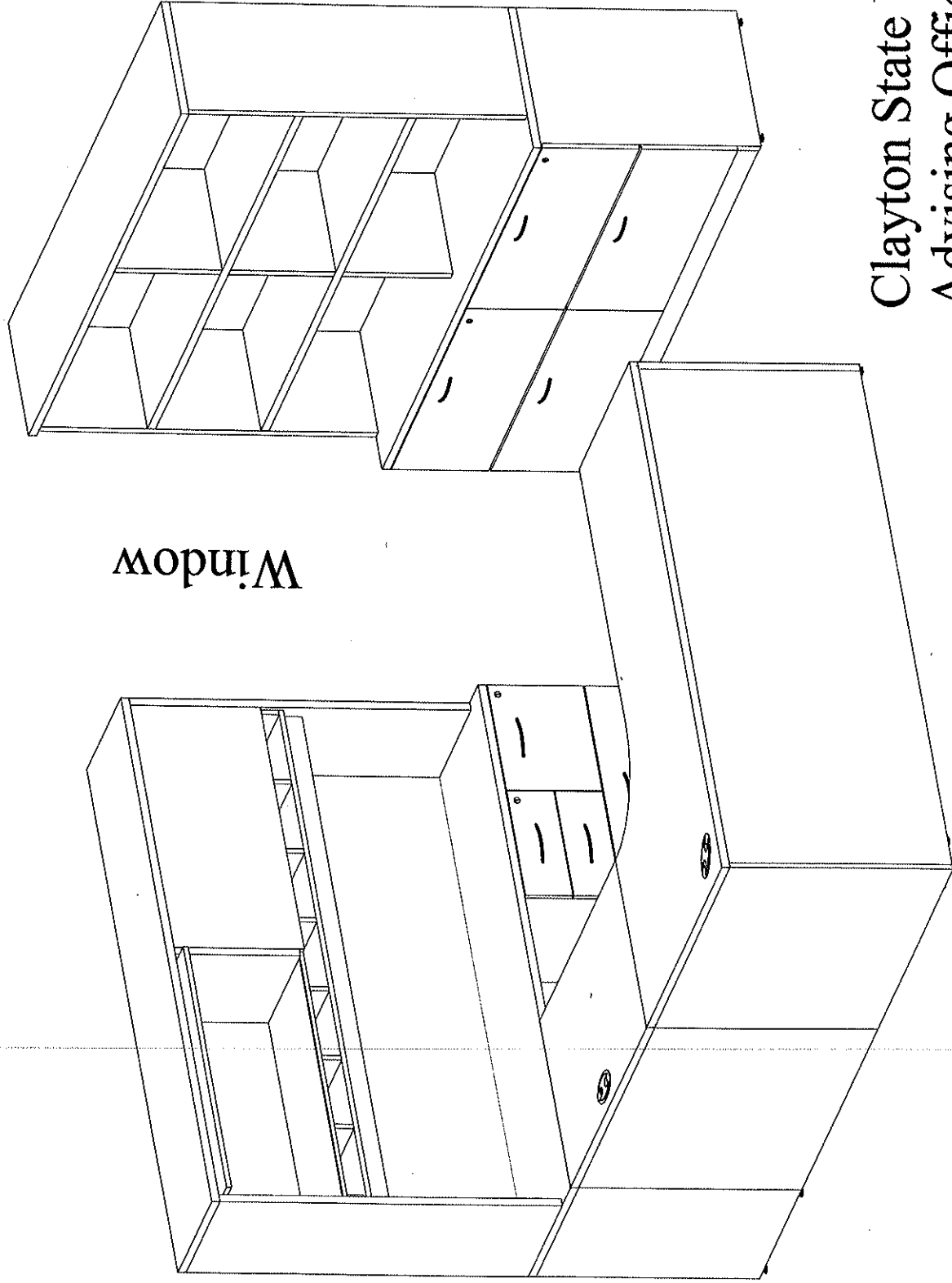
Franklin McNeal, Ltd
(770) 781-9572 Voice
(770) 781-9593 Fax
franklin-mcnealofg@comcast.net

Product Line: Logiflex

Contractor: MOBILIER DE BUREAU LOGIFLEX, INC.
GA Statewide Contract: 99999-SPD0000100-0067
PeopleSoft Vendor Number: 0000152521
TIN: 98-0196946

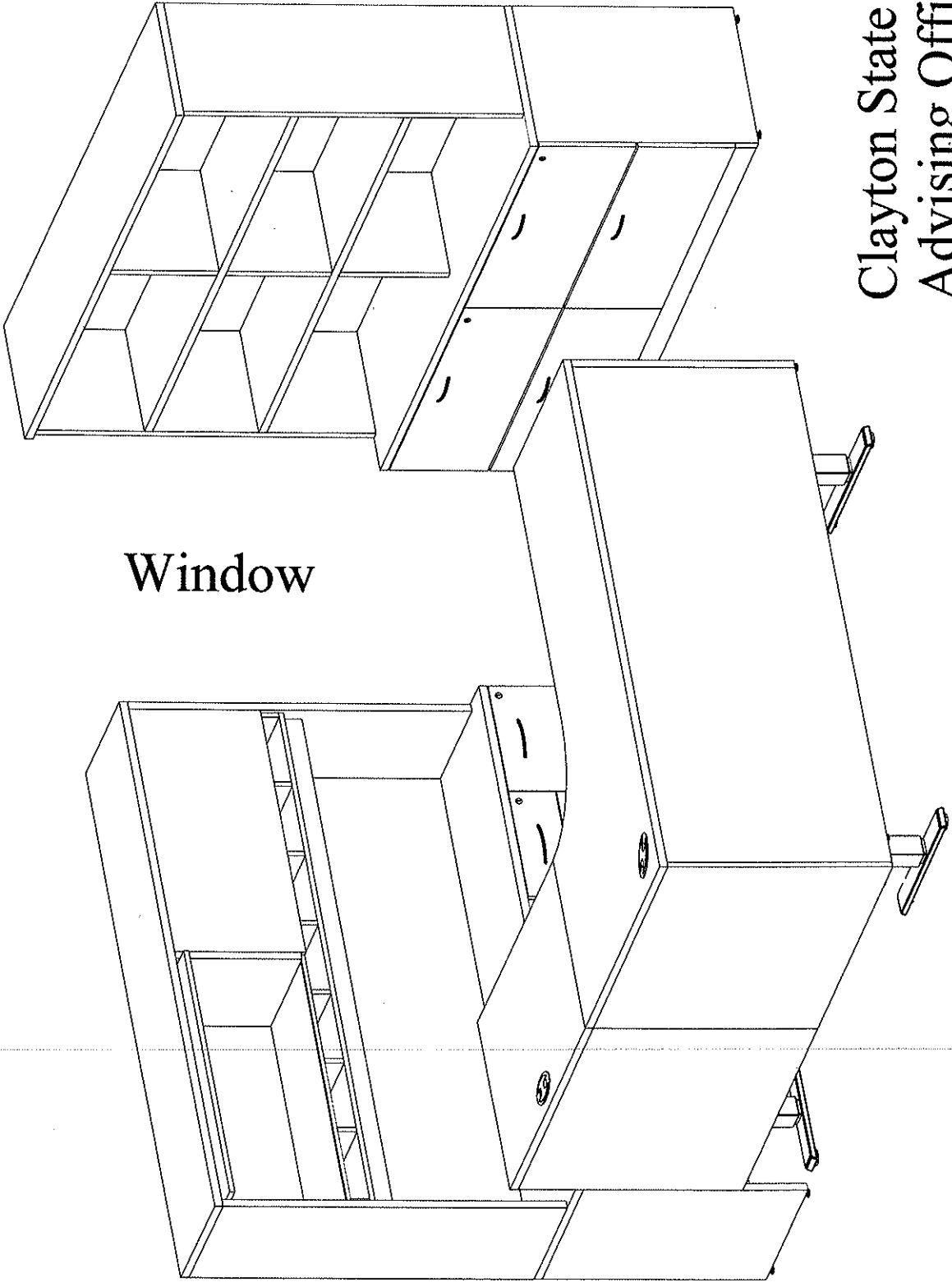
For Installation, Ship to:

Franklin McNeal, Ltd.
c/o Advance Office Furniture Installations
3073 McCall Drive, Suite 16
Atlanta, GA 30340



Window

Clayton State University
Advising Office
Amy 2015 1030



Window

Clayton State University
Advising Office
Amy 2015 1030

Proposal

Clayton State University

Advising Office

Project: Amy's Office - Height Adjustable Mechanism

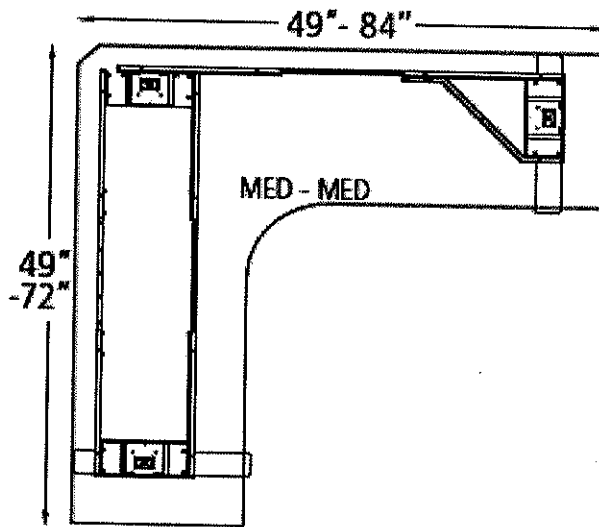
December 11, 2015



Quotation: CSU-ADV-ISE20151211

Qty	Product Number	Description	List Price	SWC Price	Extension
1	SB-RS2-3-90 / 24-72-72-24	Rise Med-Med Electric Lift Chassis for 24x72x72x24 Extended Corner Work Surface. 2-Stage System. To be used with existing Work Surface. Finish: Silver	\$2,175.00	\$1,131.00	\$1,131.00
1	RISE-SWITCH-HD	Heavy Duty Option - Increases lift capacity to 300 pounds	\$60.00	\$31.20	\$31.20
1	SA-VW-50	Vertical Cable Manager	\$228.00	\$118.56	\$118.56
				Total	\$1,280.76

Pricing includes all charges for shipping, delivery, and installation.



Chassis Only



Vertical Cable Manager

HOW TO ORDER

Georgia Statewide Furniture Contract

Issue Purchase Orders to:

INTERNATIONAL SOURCE FOR ERGONOMICS
950 Warden Ave
Toronto, ON Canada M1L4E3
703-319-0390 Voice
703-319-0393 Fax

Installing Dealer:

Franklin McNeal, Ltd
(770) 781-9572 Voice
(770) 781-9593 Fax
franklin-mcnealofg@comcast.net

Product Line: ISE

Contractor: INTERNATIONAL SOURCE FOR ERGONOMICS
GA Statewide Contract: 99999-SPD0000100-0046
PeopleSoft Vendor Number: 0000010527

For Installation, Ship to:

Franklin McNeal, Ltd.
c/o Advance Office Furniture Installations
3073 McCall Drive, Suite 16
Atlanta, GA 30340

FASTSIGNS

More than fast. More than signs.™

FASTSIGNS

2710 East Highway 34, Suite D
Newnan, GA 30265
Email: 2054@fastsigns.com

Phone: (770)683-9900
Fax: (770)6839910

ESTIMATE:

2054- 4464

Estimate Date:

11/13/2015 8:23:38AM

Salesperson:

Chris Carr

Entered By:

Tiffany Hanekamp

Date Printed:

11/13/2015 8:29:47AM

Page 1 of 1

Salesperson: 2054@fastsigns.com

Project Description: repeat order 1323

Customer: Clayton State University

2000 Clayton State Boulevard
Morrow, GA 30260

Ordered by: Amy Albrecht

Phone: (678) 466-4081

Email: amyalbrecht@clayton.edu

Dear Amy:

Thank you for considering FASTSIGNS of Newnan for your sign needs. The quotation we discussed is attached below. If you have any questions, please call me at 770-683-9900 or by email at 2054@fastsigns.com.

Sincerely,

Chris Carr
Sales Professional

PRODUCT	DESCRIPTION	QTY	SIDES	H x W	UNIT COST	INSTALL	TOTALS
Frosted Glass	Complex cut frosted vinyl priced by H x W.	2	1	16 x 17.6	\$77.50	\$112.50	\$267.50
Color: White							

TERMS: Payment is due upon placement of the order.

ESTIMATE RECEIVED/APPROVED BY:

X _____ / /
CUSTOMER SIGNATURE DATE

P.O./Credit Card # _____ Exp: /

Line Item Total:	\$267.50
Tax Exempt Amt:	\$267.50
Subtotal:	\$267.50
Taxes:	\$0.00
Total:	\$267.50

Deposit Required: \$133.75

Bill To: Clayton State University
Attention: Amy Albrecht
2000 Clayton State Boulevard
Morrow, GA 30260

*Thank You for choosing
FASTSIGNS*

We appreciate the opportunity to serve you.

Subject: FW: Dell Computer - Saved Quote Information 1021682475384
Date: Monday, November 2, 2015 at 9:28:40 AM Eastern Standard Time
From: Amy Albrecht
To: Eric Tack

Updated quote with additional computers.

Amy Albrecht
Administrative Operations Coordinator
Center for Advisement & Retention
Clayton State University
678-466-4081

From: Steve Wagner
Sent: Monday, November 02, 2015 8:00 AM
To: Amy Albrecht <AmyAlbrecht@clayton.edu>
Cc: Bill Gruszka <BillGruszka@clayton.edu>; Marcia Jones <MarciaJones@clayton.edu>
Subject: FW: Dell Computer - Saved Quote Information 1021682475384

Amy,
Here is the updated quote.

Thanks,
Steve

From: DellOnlineSales@Dell.com [mailto:DellOnlineSales@Dell.com]
Sent: Monday, November 02, 2015 7:53 AM
To: Steve Wagner <SteveWagner@clayton.edu>
Subject: Dell Computer - Saved Quote Information 1021682475384

Your E-Quote has been saved.

Dear Steve Wagner:

An E-Quote containing computer equipment from Dell Computer Corporation has been saved in your name at the Dell Online Store. The E-Quote will be held for 60 days to allow for completion of the order.

Per your request, this E-Quote has been forwarded to the following recipients:

Your Comments:

To retrieve this E-Quote:

1. Log on to your Premier page for Clayton College and State University
2. Click into your online store.
3. Select "Retrieve" E-Quote from the top section of the page.
4. Select E-Quote Number: 1021682475384

Premier.dell.com log-in: <http://premier.dell.com>

A read-only view of this E-Quote is provided below:

E-Quote Information


E-Quote number: 1021682475384
 E-Quote name: amy 2
 Description: amy 2
 Customer Name: Clayton College and State University

E-quote Name	amy 2	E-Quote Description	amy 2
Saved By:	Steve Wagner stevewagner@clayton.edu	Phone Number:	(678) 466-4357
Saved On:	Monday, November 02, 2015	Purchasing Agent:	
Expires On:	Friday, January 01, 2016	Notes/Comments:	
Premier Page Name	Clayton College and State University	Additional Comments:	

Ship to Address:

Bill to Address:

Description

 **OptiPlex 7020 Mini Tower Build Your Own**
 Date & Time: October 15, 2015 7:03 PM CST

SYSTEM COMPONENTS

OptiPlex 7020 Mini Tower Build Your Own	Qty	8
OptiPlex 7020 Mini Tower, Windows 7 Professional English/French 64bit (Includes Windows 8.1 Pro license)	Unit Price	\$1,276.04
Catalog Number:	25 CUBTO7020MTP	

Module	Description	Product Code	SKU	Id
OptiPlex 7020 MT	OptiPlex 7020 Mini Tower	7020TC	[210-ACRX]	1
Operating System (s)	Windows 7 Professional English/French 64bit (Includes Windows 8.1 Pro license)	DW17P6M	[636-BBBJ]	11
Memory	8GB (2x4G) 1600MHz DDR3 Memory	8G2D	[370-AADC]	3

Keyboard	US English (QWERTY) Dell KB212-B QuietKey USB Keyboard Black	8KUS	[580-AAQX]	4
video card	AMD Radeon R5 240, 1GB, Full Height (DP and DVI-I)	FOUG11	[490-BBXS]	6
Driver	No Wireless	NOWRLS	[555-BBFO]	7
Hard Drive	500GB 3.5inch SATA (7.200 RPM) Hard Drive	500SG7	[400-AANO]	8
Mouse	Dell MS111 USB Optical Mouse	USBMSE	[570-AACR]	12
CD ROM/DVD ROM	16X DVD+/-RW Drive	16RWHH	[429-AAOW]	16
Speakers	Internal Speaker	SPKR	[520-AABT]	18
Wireless	No Wireless	NOWRLS	[555-BBFO]	19
Power Cord	System Power Cord (English)	US125V	[450-AAOJ]	20
Documentation/Disks	Safety/Environment and Regulatory Guide (English/French Multi-language)	EFDOC	[340-AGIK]	21
Hardware Support Services	3 Year Hardware Service with Onsite/In-Home Service After Remote Diagnosis	NBD3	[997-8533] [997-8535]	29
Low Power Mode	No Bios Required	NOBIOS	[696-BBBC]	38
Systems Management	Intel® Standard Manageability	72MEST	[631-AAJJ]	49
Diagnostic CD / Diskette	No Diagnostic/Recovery CD media	NORDVD	[340-ABJI]	50

Placemat	No Quick Reference Guide	NOTSH	[340-ABKW]	60
Canada Ship Options	US No Canada Ship Charge	USNONE	[332-1286]	111
Chassis Options	OptiPlex 7020 Mini Tower for Standard Power Supply	MTSTD	[329-BOHJ]	116
E-Star	No Estar	NOESMRT	[387-BBCG]	122
Processor	Intel® Core i7-4790 Processor (Quad Core, 8MB, 3.60GHz w/HD4600 Graphics)	I74790	[338-BEUD]	146
Dell Data Protection Encryption Security SW	No DDPE Encryption Software	NODDPE	[954-3465]	156
Keep Your Hard Drive	Keep Your Hard Drive, 3 Years	KYHD3Y	[984-0092]	159
Chassis intrusion switch	Chassis Intrusion Switch	NTRSN	[461-AAAZ]	289
UPC Label	No UPC Label	NOUPC	[389-BDCE]	292
TPM Security	TPM	TPM	[329-BBJL]	297
Raid configuration over 2 TB	NO RAID	NORAID	[817-BBBN]	387
Thermal Cooling	Heatsink, Performance, Minitower	THMT9	[412-AAAV]	412
Packaging	Shipping Material for System, Minitower	SHPDAO	[340-ABVE]	465
Multi Select Monitors	(2) Dell 22 Monitor - P2214H	P2214H	[480-ABMD] [480-ABMD]	496
FGA Module	No FGA	NOFGA	[817-BBBB]	572

DVI to VGA Adapter	NO ADAPTER	NOADPTR	[470-AAJL]	592
Dell Data Protection Endpoint Security Suite	No Dell Data Protection Endpoint Security Suite Software	NODDP	[634-BENZ]	593
Optical Software	PowerDVD Software not included	NOPDVD	[632-BBBJ]	597
Additional Hard Drive	No Additional Hard Drive	NOHDDA	[400-AATB]	637
Label	Regulatory Label	REGMEX	[389-BEVD]	676
CompuTrace Offerings + Stoptrack Label	No Computrace	NCTRACE	[461-AABF]	697
Serial Port/PS2 Adapter	No Add On Cards	NOADDIN	[382-BBBZ]	698
Hard Drive Software	NO INTEL RESPONSIVE	NOINTR	[651-BBBJ]	707
Processor Branding	Intel® Core I7 Label	IC17SML	[389-BBWR]	749
Microsoft Application Software	No Office License Included	13TMUI	[658-BCSB]	1002
Non-Microsoft Application Software	Windows 7 Downgrade	DWIN7	[422-0008] [640-BBDF] [640-BBEV] [640-BBLW] [658-BBMQ] [658-BBMR] [658-BBNH] [658-BBVM]	1003
Protect your new PC	No Anti-Virus Software	NOAV	[650-AAAL]	1014

Operating System Recovery Options	Windows 8.1 English OS Recovery - DVD	M81D6E	[620-AASU]	200013
--	---------------------------------------	--------	------------	--------

Dell Backup & Recovery	Dell Backup and Recovery Basic	DBRBSIC	[637-AAAS]	200076
-----------------------------------	--------------------------------	---------	------------	--------

Transportation from ODM to region	Standard shipment	STD	[800-BBIO]	200080
--	-------------------	-----	------------	--------

External Speakers	Dell Stereo USB SoundBar AC511	AC511	[520-AADQ]	200095
--------------------------	--------------------------------	-------	------------	--------

TOTAL				\$10,208.32
--------------	--	--	--	--------------------

Sub-total	\$10,208.32
Shipping & Handling	\$0.00
Tax	--
Total Price	--

*Tax calculation is currently unavailable. You will be contacted post-sale with your final total order amount, including applicable taxes.

In the event that you are subject to a tax holiday, you will not be charged tax.

Thanks for shopping on the Dell Online Store and for using our E-Quote service. We hope you find it useful in making your purchase and will continue to think of Dell.com for all of your computing needs.

Sincerely,
Dell Online Sales

QUOTATION

CLAYTON STATE UNIVERSITY

Quote Number: JG15-9005
 Date: 12/8/2015
 Valid Until: 2/8/2016
 Rep: CFC
 Lead Time: 7-8 WEEKS
 Contract #: 99999-001-SPD000100-0048-GA (50% D & I DISCOUNT)
 Prepared By: Jessie Cooper
 800-457-4511
 800-457-4511
 jcooper@jaspergroup.us.com

Part Number	Tag	Qty	List	Ext List	Sell	Ext Sell
1	CM4550 (ULC4550) Single Seat, Armless, Uph Surround, Seat & Back, Casters on Back Legs	1	\$2,645.00	\$2,645.00	\$1,322.50	\$1,322.50
	Wood Finish Selection					
	Fabric Grade Selection					
	Grade L1 Leather Manufacturer Selection					
	Multi Fabrics					
	Bourbon (Natural Cherry)					
	Grade L					
	See Notes below					
	Seat Fabric-JSOML-Momentum Silica Etch Derby-Grade L					
	Front Back Fabric-COM-Momentum Align Flint-Grade B/COM-1-1/4 yds					
	Extreme Back-JSOML-Momentum Silica Etch Derby-Grade L					
	Back Panel / Surround-JSOML-Momentum Silica Etch Derby-Grade L					
	Total:			\$2,645.00	\$1,322.50	\$1,322.50

Product descriptions may not be all inclusive. Please refer to the current price list for additional terms, conditions and product specifications.

*** Indicates special information to follow.

"Z" in front of the model # indicates a Special Product.

"X" in front of the model # indicates Standard Product Modification.

Inside delivery is not included.

All pricing is in US Currency.

This contractor and subcontractor shall abide by the requirements of 41CFR 60-300.5(a) and 41 CFR 60-741.59(a).

These regulations prohibit discrimination against qualified protected veterans and qualified individuals on the basis of disability, and require affirmative action by covered prime contractors and subcontractors to employ and advance in employment qualified protected veterans and qualified individuals with disabilities.

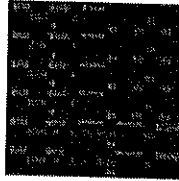
***** Please reference this quote number when ordering*****



QUOTE

QUOTE #: 34547	BILL TO: CLAYTON STATE UNIVERSITY 2000 CLAYTON STATE BLVD MORROW, GA 30260	SHIP TO: JASPER, IN 47549
DATE: 12-10-2015		
PROJECT: CLAYTON STATE		
SPECIFIED BY: CLAYTON STATE UNIVERSITY		

QUANTITY	DESCRIPTION	CURRENT AVAILABILITY	STANDARD LEAD TIME	PRICE PER YARD	EXTENDED PRICE
2 yd(s)	Align Flint	0.0 yd(s)	7 weeks	57.00	114.00
Estimated Freight	Via UPS Ground	--	--	12.00	12.00
				Total	126.00



DISCLAIMERS

- FOB Ship Point.
- *Subject to Duty if shipped to Canada.
- Stock quantity varies daily.
- Quote valid until 12-31-2015.
- Quote does not include applicable taxes, duties and handling.
- Please allow 0.5 yard per piece for added finishes
- Actual lead time may vary according to quantity.
- Price in US dollars unless otherwise noted.
- Shipping charges are estimates only.
- It is the sole responsibility of the purchaser to verify accuracy of pricing, specifications, quantities and finishes when a PO is issued.



Clayton State University

One-time FY16 Over 25K Funding Request

Description: The requested funding is for renovation of an existing space which will have three purposes.

1. One is to establish a cross-campus, cross-disciplinary work space for Clayton State University students to brainstorm, identify new ideas, new solutions, and new products and services, as well as work on community-based projects. Development of this dedicated workspace to creativity, innovation, and entrepreneurship will encourage “outside of the box” thinking in identifying problems, both social and business and creating solutions to these problems.
2. Two, this space will be available to high school students visiting the campus and for high school competitions related to innovation and entrepreneurship. It is hoped that this space will “wow” high school students and encourage them to attend CSU regardless of major since this space has a campus-wide emphasis.
3. Third, this space will be used to provide classes, instruction, and speakers both in person and electronically on topics related to creativity, innovation, design thinking, and entrepreneurship. It is space where students can develop prototypes of their ideas for products.

The creative space can named in a way that is unique to CSU. Some possible names are “Laker Lair”, “Lochovator” (Loch and innovator), “InnoLaker” or something similar. Having a naming contest would publicize it to campus.

Amount Requested: \$30,000.00

Justification: There is increasing emphasis on entrepreneurship and innovation within the university, within the University System of Georgia, and in Clayton County. Now, at CSU, we have a minor in entrepreneurship and innovation open to all majors, elevator pitch competitions, and a new course in Social Innovation and Entrepreneurship. We have just started an entrepreneurship club. Just for the first meeting, almost 30 students were interested in the club. In my classes, both undergraduate and graduate, about 2/3 of the students indicate that they are interested in entrepreneurship and innovation. For some, their interest is in being more creative and innovative in a corporate environment. Others are interested in starting their own businesses. A survey in 2014 found that 63% of millennials were interested in starting their own businesses or had thought about it. In today’s economy, with difficulty in finding employment, our students can create their own jobs. According to Abraham Lincoln and Peter Drucker, the best way to predict the future is to create it. Today, we are educating students for jobs that do not exist today. The skills and knowledge that our student will acquire can be used in almost any job.

Encouraging students to develop **these skills will differentiate** them from college students at other universities. If two students have a major in biology, and one of them also has a background in innovation, the one with the innovation background differentiates him/herself from other biology majors. It will also encourage economic development and entrepreneurial activity of our students who very easily could establish their businesses in Clayton County. We can help our students create their futures. Employers want problem-solvers.

This type of facility **encourages experiential, practical, hands-on learning with real problems.**

It will help make CSU unique among other universities. There are no other universities, with the exception of major universities who offer this type of opportunity. A space dedicated to brainstorming, creative problem-solving will differentiate CSU from other universities. It will help us to attract those better students who are now passing by CSU to attend other universities.

Finally, this effort is **in line with the county's interest in developing an incubator/accelerator facility.** This workspace would be a step in that direction to support such an effort.

USES OF FUNDING

The money requested will be used to develop a space (currently a conference room on the 2nd floor of the College of Business) which will have two 3D printers for students to develop prototypes of their ideas, a smart screen that will be used to video conference speakers from other parts of the country, white walls on which students can write and draw their ideas during brainstorming, and modular furniture can be easily moved and easily re-configured to accommodate multiple teams, or to accommodate different size teams. These same materials and space design are used by much larger universities in their areas for creative problem-solving. The break-down of costs are as follows:

- a. Two 3D printers: \$10,000 for developing prototypes
- b. Smart screen \$6,000 for programs, training, speakers, and communication
- c. White walls \$3,000 to brainstorm and draw ideas
- d. Modular furniture, \$10,000
- e. Additional electrical outlets for students laptops \$1,000

TOTAL = \$30,000

SUMMARY

This request is aligned with the goals and strategy of both the University System of Georgia, Clayton State University, and of Clayton County. It will encourage creative problem-solving (critical thinking) and learning by doing, by working on real-life problems. It is a facility that is for all students and will encourage collaboration across colleges through cross-disciplinary problem-solving teams.

SUBMITTED BY:

Louis F. Jourdan, Jr.

Associate Dean and

Director, Center for Entrepreneurship and Innovation

College of Business

Clayton State University

Clayton State University
One-time FY16 Over 25K Funding Request

Description: SimMan 3G Mankikin System with Accessories

Amount Requested: \$90,427.59

Justification: The SimMan 3G system is to replace the SimMan Classic currently being used. The Sim Man Classic dates back to 2006 and is a completely wired simulator with an external air compressor. As of 2016, it is no longer being supported by Laerdal and they are not going to be producing and selling any replacement parts for it. The Sim Man 3G is a completely wireless simulator which has a built-in, self-contained air compressor and provides the flexibility to be used in both laboratory and classroom settings for demonstrations, simulations and auscultation practice. The current generation Sim Man 3G contains enhanced operation features such as eye blinking, pupil dilation, skin color variances, seizure capabilities and much more. The Sim Man 3G system is an essential technological tool for the School of Nursing Simulation Lab in order for students to receive the adequate and required training for students to graduate from the nursing program, pass the national RN licensure exam, and succeed in their careers. It is vital that, in order to adequately prepare students to become nursing and healthcare professionals, we provide them with the most technologically relevant equipment available so they are prepared to function and compete in the competitive healthcare market.